



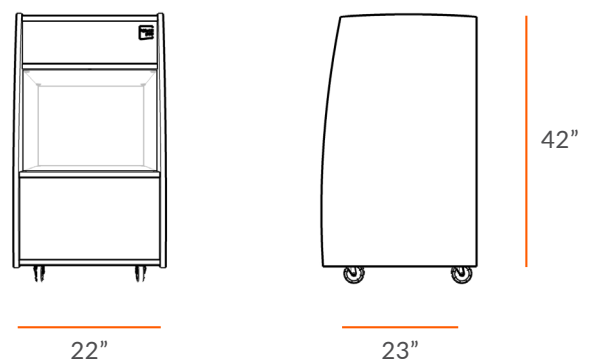
### Description

The Guide Educator Pedestal was designed as an alternative to the “teacher’s desk”, for spaces that need ultimate flexibility. Lockable castors give educators the ability to move about the space, while a locking cabinet keeps their files and personal items secure. Additional open shelving under the workspace provides storage for learning materials or a laptop.

Our wide range of **Guide Educator Desks** and **Filing Cabinets** are designed with flexibility in mind to meet the needs of busy educators. Offered in different shapes and heights with a variety of storage features to suit the individual needs of educators or the subjects taught.

### Product features

- Heavy duty lockable castors
- Standing height
- Extra large desk top
- Extra deep for added storage and a locable cabinet for security.



### Materials

- Europly FSC Certified hardwood plywood (FSC R 012337)
- MPX® FSC Certified hardwood plywood (FSC R 012337)

### GUIDE EDUCATOR

LENGTH	22"
DEPTH	23"
HEIGHT	42"

Dimensions indicated are approximate. Please contact us if you require clarification.

